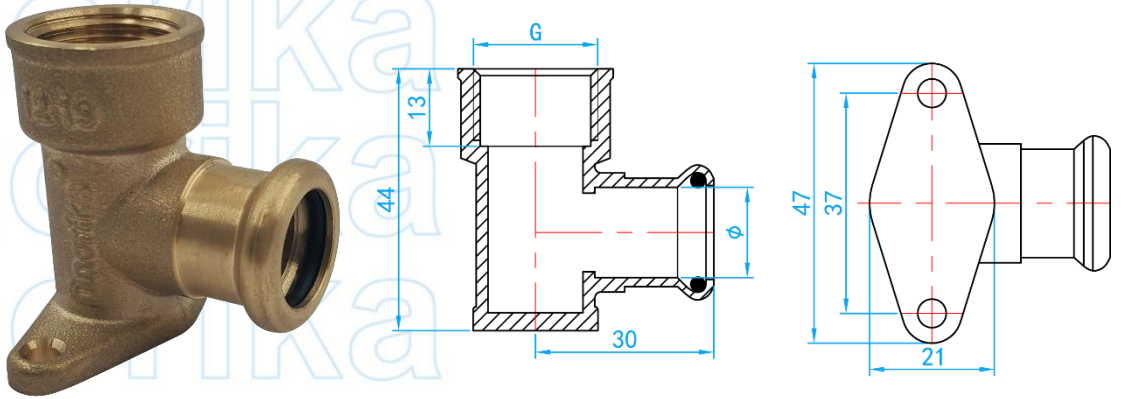
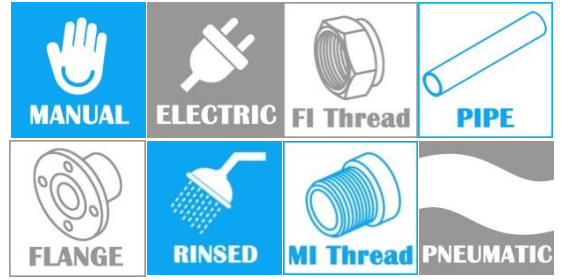


COPPER PRESS FIT FITTINGS

COMPLY WITH BSEN1254-2:1998

FI WALLPLATE ELBOW



CROSS SECTIONAL VIEW

DIMENSIONS

SKU	G (inch)	Ø (mm)	WEIGHT (Kg)	PCS/CTN
PFNFE015	½" BSP	15.2	0.085	240